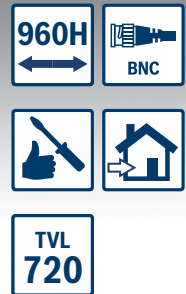


# High Resolution Mini Bullet Camera



**BOSCH**

Invented for life



Advantage Line

The VTC-206 Mini Bullet Cameras provide reliable video surveillance in a rugged, yet compact enclosure. The high performance 960H 1/3-inch CCD sensor provides a resolution of 720TVL. The cameras are suitable for indoor and outdoor applications. Models are available with a 3.6 mm lens to cover a variety of applications. The VTC-206 includes a versatile mounting bracket and three mounting screws suitable for soft walls, surfaces and ceilings. Constructed of anodized aluminum, the VTC-206 cameras are compact and discreet, providing round the clock surveillance. The cameras are true plug-and-play. No focus adjustment is needed, and the camera's settings auto-adjust to the scene when power is applied.

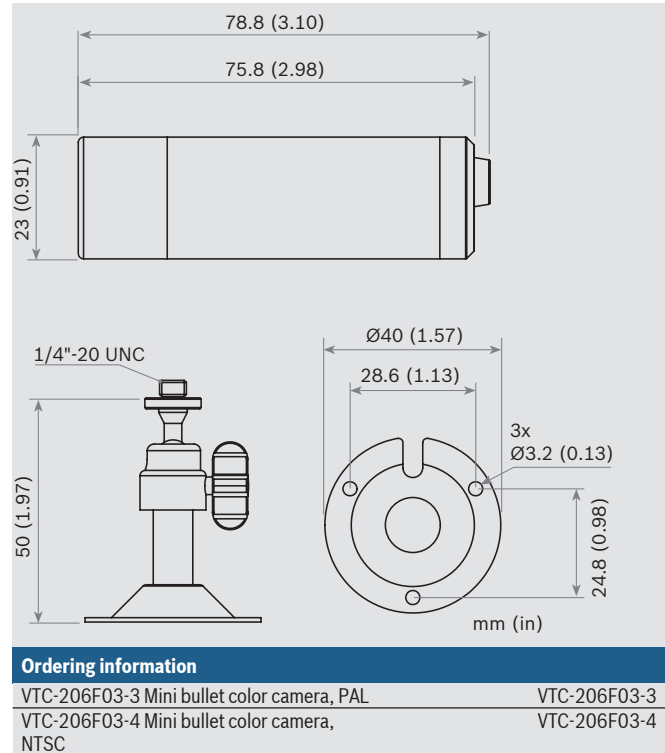
## Features

- ▶ Ultra high resolution 960H (1/3") sensor
- ▶ Wide field of view
- ▶ Indoor and outdoor applications
- ▶ Discreet and easy mounting

## 2 | High Resolution Mini Bullet Camera

### Technical specifications

Video	
System	PAL or NTSC
Effective pixels (H x V)	976 x 582 (PAL) 976 x 494 (NTSC)
Image Sensor	960H, 1/3" CCD, sensor resolution 720TVL
Electronics shutter	1/50 to 1/120,000 s (PAL) 1/60 to 1/120,000 s (NTSC)
Output Signal	1 VPP composite video, 75 ohm
Output connection	BNC connector
S/N Ratio	Greater than 50 dB
Gamma	0.45
Minimum Illumination	0.1 lx at F2.0 / 30IRE
Lens	3.6 mm fixed
Mechanical	
Housing	Compact, water resistant
Construction	Robust aluminum
Weight	79 g (0.174 lb) approximately
Electrical	
Power	12 VDC, 83 mA max.
Power Supply	Not included
Environmental	
Operational Temp.	-10 °C to +50 °C (+14 °F to +122 °F)
Storage Temp.	-20 °C to +60 °C (-4 °F to +140 °F)
Environment	IP67 certified
Certifications and approvals	
Region	Certification
Europe	CE
Standards	
	ANSI C63.4: 2003
	FCC Part 15 subpart B, Class A Digital Devices
	UL 60065, 7th Edition, 2007-12-11
	CAN/CSA-C22.2 No. 60065-03, 1st Edition, 2006-04 + A1:2006
	EN55022:2006, Class A
	EN50130-4:1995 +A2:2003
	EN61000-3-2:2006
	EN61000-3-3:2008
	LVD 2006/95/EC
	EN60065:2002 + A1:2006 + A11:2008
	IP67, IEC 60529 (2001)
Dimensions	



### Ordering information

VTC-206F03-3 Mini bullet color camera, PAL	VTC-206F03-3
VTC-206F03-4 Mini bullet color camera, NTSC	VTC-206F03-4