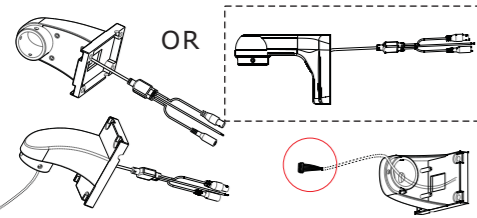
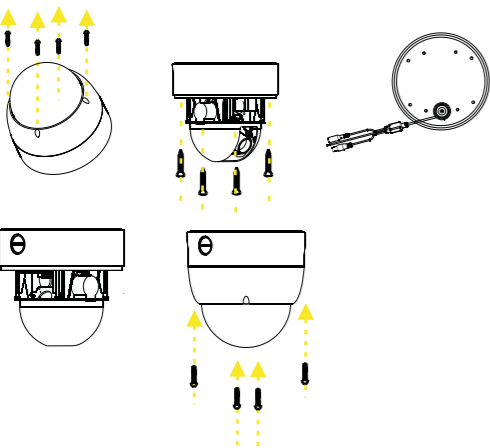
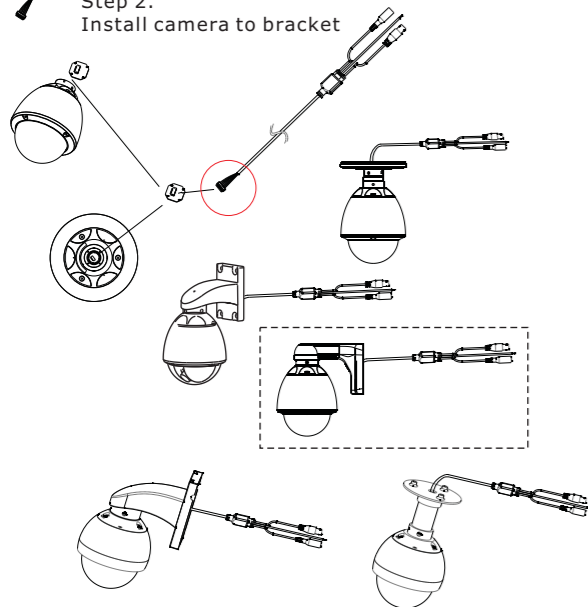


1 How to install

Step 1.
Install bracket

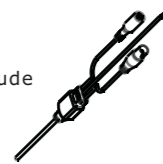


Step 2.
Install camera to bracket



2 Connect Interface

The dome camera cable include power, RS-485, video out.



RS-485 interface is two cable
 Purple color is 485 A/+
 Gray color is 485 B/-

Video out interface

The dome camera can be setup address baud rate and protocol from PTZ Controller.

3 How to setup address

(1)After Initial starting,the OSD will display 485 baud rate, address,protocol,as following picture shown:

```
P 27X02
20 02
INITIAL...
PROTOCOL:PELCO-D
ADDRESS:001
BAUDRATE:9600BPS
INPUT PELCO COMMAND:
(IRIS-OPEN)----OSD MENU
(IRIS-CLOSE)---AUTO FOCUS
(GOTO PRESET 95) - OSD MENU
```

DVR or PTZ controller, the 485 Option sets up the same as the PTZ camera,so you can make it work.

(2)Change the PTZ camera's 485 communication settings:

1)Press "IRIS open",and enter into OSD menu as following picture shown

```
MAIN MENU
CAMERA SETUP
FOCUS SETUP
PAN TILT SETUP
PATTERN SETUP
PROTOCOL SETUP
RESET MENU SETUP
EXIT MENU
```

2)Enter in the submenu of PROTOCOL SETUP to setup PROTOCOL,ADDRESS and BAUDRATE

```
PROTOCOL SETUP
PROTOCOL: PELCO-D
ADDRESS: 001
BAUDRATE: 9600BPS

RETURN
EXIT MENU
```

3.PATTERN SETUP

```
MAIN MENU
CAMERA SETUP
FOCUS SETUP
PAN TILT SETUP
PATTERN SETUP
PROTOCOL SETUP
RESET MENU SETUP
EXIT MENU
```

```
PATTERN TOUR STOP
PATTERN POINT NUM 000
PATTERN DWELL TIME 010

RETURN
EXIT MENU
```

3-1 PATTERN TOUR

STOP:Stop PATTERN
 START: Start PATTERN

3-2 PATTERN POINT NUM

The number of cruise point setting, if set 5, then PATTERN between preset 1-5.

3-3 PATTERN DWELL TIME

PATTERN DWELL TIME Setup

5.RESET MENU SETUP

```
MAIN MENU
CAMERA SETUP
FOCUS SETUP
PAN TILT SETUP
PATTERN SETUP
PROTOCOL SETUP
RESET MENU SETUP
EXIT MENU
```

```
RESET MENU SETUP SET
FACTORY DEFAULT SET SET

RETURN
EXIT MENU
```

5-1 RESET MENU SETUP

Recovery PTZ menu settings to the factory default

5-2 FACTORY DEFAULT SET

Resets all parameters to the original factory settings

4 Pan Tilt Zoom Dome Camera OSD Manual

MAIN MENU

```
MAIN MENU
CAMERA SETUP
FOCUS SETUP
PAN TILT SETUP
PATTERN SETUP
PROTOCOL SETUP
RESET MENU SETUP
EXIT MENU
```

```
FOCUS SETUP
FOCUS TYPE AUTO
AF AFTER MOVE ON
PRESET LOAD ZOOM ON
DISPLAY ZOOM TIMES OFF

RETURN
EXIT MENU
```

1.FOCUS SETUP

1-1 FOCUS TYPE

AUTO: AUTO FOCUS
 MANUAL: MANUAL FOCUS

1-2 AF AFTER MOVE ON/OFF

Auto Focus Setup After AF Move

1-3 PRESET LOAD ZOOM ON/OFF

Loaded ZOOM position when adjusting Preset

1-4 DISPLAY ZOOM TIMES

ON: Display ZOOM Times
 OFF:Turn off Display of ZOOM Times

1-5 RETURN

Return to the previous menu

1-6 EXIT MENU

Exit Menu

4.PROTOCOL SETUP

RS485 PROTOCOL Setup

After turn PTZ OSD will display 485 baud rate, address, protocol, and other information, as shown below:

```
N 12X07
00.07
03
INITIAL...
PROTOCOL: PELCO-D
ADDRESS: 001
BAUDRATE: 9600BPS
INPUT PELCO COMMAND:
(IRIS-OPEN) ---- OSD MENU
(IRIS-CLOSE)---AUTO FOCUS
(GOTO PRESET 95) - OSD MENU
```

N: NTSC
 12X: Lens Zoom
 07: Software Version

The setup status of PTZ

DVR or controller 485 set the same as PTZ, then you can PTZ control.

Change RS485 PROTOCOL Setup :

Press IRIS-OPEN Key to Enter MAIN MENU

```
MAIN MENU
CAMERA SETUP
FOCUS SETUP
PAN TILT SETUP
PATTERN SETUP
PROTOCOL SETUP
RESET MENU SETUP
EXIT MENU
```

```
PAN TILT SETUP
PROTOCOL: PELCO-D
ADDRESS: 001
BAUDRATE: 9600BPS

RETURN
EXIT MENU
```

4-1 PROTOL: PELCO-D/P

PROTOCOL you can choose PELCO-D or PELCO-P

4-2 ADDRESS:

Address set: 1~255

4-3 BAUDRATE:

4 Baud rate choose: 1200BPS/2400BPS/4800BPS/9600BPS

2.PAN TILT SETUP

```
MAIN MENU
CAMERA SETUP
FOCUS SETUP
PAN TILT SETUP
PATTERN SETUP
PROTOCOL SETUP
RESET MENU SETUP
EXIT MENU
```

```
PAN TILT SETUP
TILT LIMIT SET SET
TILT LIMIT RESET SET
PAN TILT LIMIT SPEED 063
ZOOM LIMIT SPEED 063

RETURN
EXIT MENU
```

2-1 TILT LIMIT SET

PTZ Upward angle limit setting:

In order to obtain a larger viewing angle range, the machine factory set upward angle.

If you care about the camera in the ceiling spaces see the shell, the user can set the upper limit position.

Turning PTZ to the position you want to set, Enter OSD and press IRIS-OPEN will set this position to Upper limit.

2-2 TILT LIMIT RESET

Choose this menu and press IRIS-OPEN key will clear Tilt limit Setup

2-3 PAN TILT LINIT SPEED

PTZ speed Settign,63 is the fastest

2-4 ZOOM LIMIT SPEED

The ZOOM pulled speed Setup, 63 is the fastest

4-4 : Address 255 (NO.06 above support this feature)

Using address255,You can control all the same protocols and baud rate connected with the DVR 485 but the address is different from the PTZ.

Using address 255 control,

press IRIS-OPEN Enter OSD choose PAN TILT SETU Submenu, RETURN will become RANDOM ADDRESS

```
PROTOCOL: PELCO-D
ADDRESS: 001
BAUDRATE: 9600BPS

RETURN
EXIT MENU
```

```
PAN TILT SETUP
PROTOCOL: PELCO-D
ADDRESS: 001
BAUDRATE: 9600BPS

RANDOM ADDRESS
EXIT MENU
```

DVR:PELCO-D 001 9600

DVR:PELCO-D 255 9600

When you are in RANDOM ADDRESS

press IRIS-OPEN key

Will create a random address, such as the right address 026

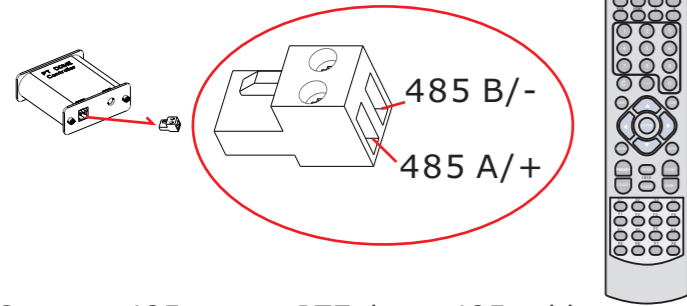
```
PAN TILT SETUP
PROTOCOL: PELCO-D
ADDRESS: 026
BAUDRATE: 9600BPS

RANDOM ADDRESS
EXIT MENU
```

Has this feature the user do not set address before install PTZ, 255 address after installation can also be used to control and select RANDOM ADDRESS to creat random addresses, in this way, multiple head connected with the DVR and 485 will have a different address, And then use the new address can be controlled separately.



1 Installation



Connect 485 port to PTZ dome 485 cable,
Connect DC12V to power port.
After power on, controller will display **A001**
or **P001**
A means address of command, 001 is
address number.
P means preset point, 001 is preset number.

2 How to control PTZ

When you press **CAM** button, Screen display like **A001**, First **A** means address, Another 3 digital **001** means address number is 1, You can press number key input digital after **A**, if number big than 9, you need press **-/--** to input number more than 9. Press button **C** can delete last input number, When you set address 1 is Pelco-D protocol, this is Pelco-D ID address, means Pelco-D ID address is 1, When you set address 1 is Pelco-P protocol, this number plus 1 is Pelco-P ID address, means Pelco-P ID address is 2 (Some unit use protocol address, some use ID address)

When you press **SHUT** button, Screen display like **P002**, First **P** means preset point, Another 3 digital **002** means address number is 2, You can input preset number like address number. After you input preset number, Camera will got this preset point you selected.

When you press **SPEED** button, Screen display like **S-63**, First **S** means speed number, Another 2 digital **63** means speed number is setup to 63, You can input preset number like address number. Speed number is pan tilt speed, From 1 to 63, 63 is fast speed.

When you press **HOME** button, Screen display **HOME**, means home point of preset, you can use **PRESET**, **DELELT** set or clean this point.

When you press **A** or **B** button, Screen display **Lt-A** or **Lt-B**, means limited-A or limited-B point of preset, It will use as left or right limited at auto mode. You can use **PRESET**, **DELELT** set or clean this point.

When you press **PRESET** button for 3 second, Screen display **SEt-**, means in preset mode,

If you want set a preset number, you need press **PRESET** button 3 seconds, and controller will display **SEt-**, At this time you can input a number(also at this time, you can press **HOME A B** key set point home and limited left right point), If you need input a number more than 10, you need press button **-/--** at first. After input number, need press **ENTER** key confirm it. When you press **SETUP** key at this mode, Will send setup command to camera, Set camera address and protocol same as PTZ Controller at this time. Press **DISP** key at this time will setup alarm host address(only for alarm model)

When you press **DELETE** button for 3 second, Screen display **CLr-**, means in preset clean mode, If you want clean a preset number, you need press **DELETE** button 3 seconds, and controller will display **CLr-**, At this time you can input a number(also at this time, you can press **HOME A B** key clean point home and limited left right point), If you need input a number more than 10, you need press button **-/--** at first. After input number, need press **ENTER** key confirm it.

When you press **DISP** button, Screen display **U018**, means software version is version 18.

When you press **DISP** button again, Screen display **d=24**, means protocol setup at this address. First letter is protocol type, If display **d**, means Pelco-D, If display **P**, means Pelco-P, last two digital means baud rate, **12** means 1200bps, **24** means 2400bps, **48** means 4800bps, **96** means 9600bps.

Like if protocol setup to Pelco-P 9600bps, screen will display **P=96** at this time.

Press **DISP** button third times, Screen display **H128**, means alarm host address is 128, this is only for PTZ Controller (with alarm in and alarm out model).

When you press **SETUP** button, Screen display like **d=24** or **P=96**, PTZ Controller go to setup protocol mode, Press left right key modify protocol, when you press left or right key, you can see **d** or **P** change at screen. Press up down key can modify baud rate, you can see **12 / 24 / 48 / 96** change at screen. Press **ENTER** key can save this configuration and return to normal mode.

You can setup different protocol for different address, For example you can setup address 1 is Pelco-D 2400bps, address 2 can be Pelco-P 9600bps. When you at setup mode, you press **C** button, screen will black for 10 second, PTZ Controller will clean all protocol setup and setup all address to Pelco-D 2400bps.

3 How to start pattern tour tracking cruise

When you press **PATTERN** button first time, Screen display **PStA**, means goto pattern track setup mode, At this mode, Input what preset point you want go, you can input 16 point at here, For example: If you want camera run like preset 6, preset 2, preset 3, preset 8, You can go to preset 6, preset 2, preset 3, preset 8, camera will record this point to track. At this time, you can set speed from one point to next point, and stay time from one point to next point. In default number, speed from one point to next point is fast speed 63, stay time from one point to next point is 8 second (include move time from one point to next point). Press **PATTERN** second time, screen display **PSt0**, End set tour track mode.

How to start pattern tour track cruise:

- (1) Press **RUN** button, Screen display **PfUN**, Start PATTERN cruise, Press **RUN** again stop it. If you not stop pattern cruise, it will continue cruise after another power on and never stop.
- (2) PRESET point 247 command can start run PATTERN, Enable Auto Start PATTERN cruise
- (3) Send Pelco RUN command one time start auto tour, Send RUN command again stop it, If you start auto track cruise, power down and power on can not change it. you can use 4 ways stop it.
- (1) Press **RUN** button at cruise mode, Screen display **PfUN**, Stop PATTERN cruise, If you not stop pattern cruise, it will continue cruise never stop.
- (2) PRESET point 248 command can stop run PATTERN, Disable Auto Start PATTERN cruise.
- (3) Send Pelco RUN command stop it at cruise mode.
- (4) Use PRESET point 240 command can set all configuration to default, On default data, Auto Start PATTERN cruise mode is disable.

4 Function list



Default protocol:
Protocol: Pelco-D
Bitrate: 2400bps

UP DOWN LEFT RIGHT button is controls the movement of pan and tilt cameras

ENTER button is a stop key at movement, And it also is a confirm key when input a number
Numeric key 0 - 9 is number input button
C button is a backspace for number input
-/-- is a button for change plus10 mode and normal mode, in normal mode only can input number 0 - 9, in plus10 mode can input number 0 - 255

At any mode, if you press **ESC** button, system will go to address input mode.

Press **CAM** button go to address input mode, Press **SHOT** button go to preset selecting mode. It is a command of selecting preset of your target camera, **HOME A B** and **P1 - P8** is shortcut key for preset point

PRESET is set preset point
DELECT is clear preset point
This two key need press more than 3 seconds to active it.

AUTO is go to auto cruise mode, Another auto mode is go to preset point 99

SPEED is set speed of movement
S1 - S4 is shortcut key for speed
S1 = 8, S2 = 40, S3 = 51, S4 = 63

FOCUS + focus far, **FOCUS -** focus near
OPEN Iris open, **CLOSE** Iris close
ZOOM + zoom wide, **ZOOM -** zoom tele
PATTERN start / stop learn pattern,
RUN a pattern, **DISP** display software version, **F1 - F4** user define shortcut key, Press **SHOT** go to preset point 240, Screen display **0---**, this time press 1 - 4, if you press 1 means setup **F1**. After this screen will display **1---** to **4---**, this time press number 0 to 255, means command data of protocol, After finish this, you press F1 to F4, PTZ Controller will send this command you set.

SETUP set protocol and baud rate
Press **SETUP** key for 3 second,
Press **UP DOWN** key select protocol,
Press **LEFT RIGHT** key select baud rate.

F1 - F4 user define shortcut key, Press **SHOT** go to preset point 240, Screen display **0---**, this time press 1 - 4, if you press 1 means setup **F1**. After this screen will display **1---** to **4---**, this time press number 0 to 255, means command data of protocol, After finish this, you press F1 to F4, PTZ Controller will send this command you set. **SETUP** set protocol and baud rate Press **SETUP** key for 3 second, Press **UP DOWN** key select protocol, Press **LEFT RIGHT** key select baud rate.